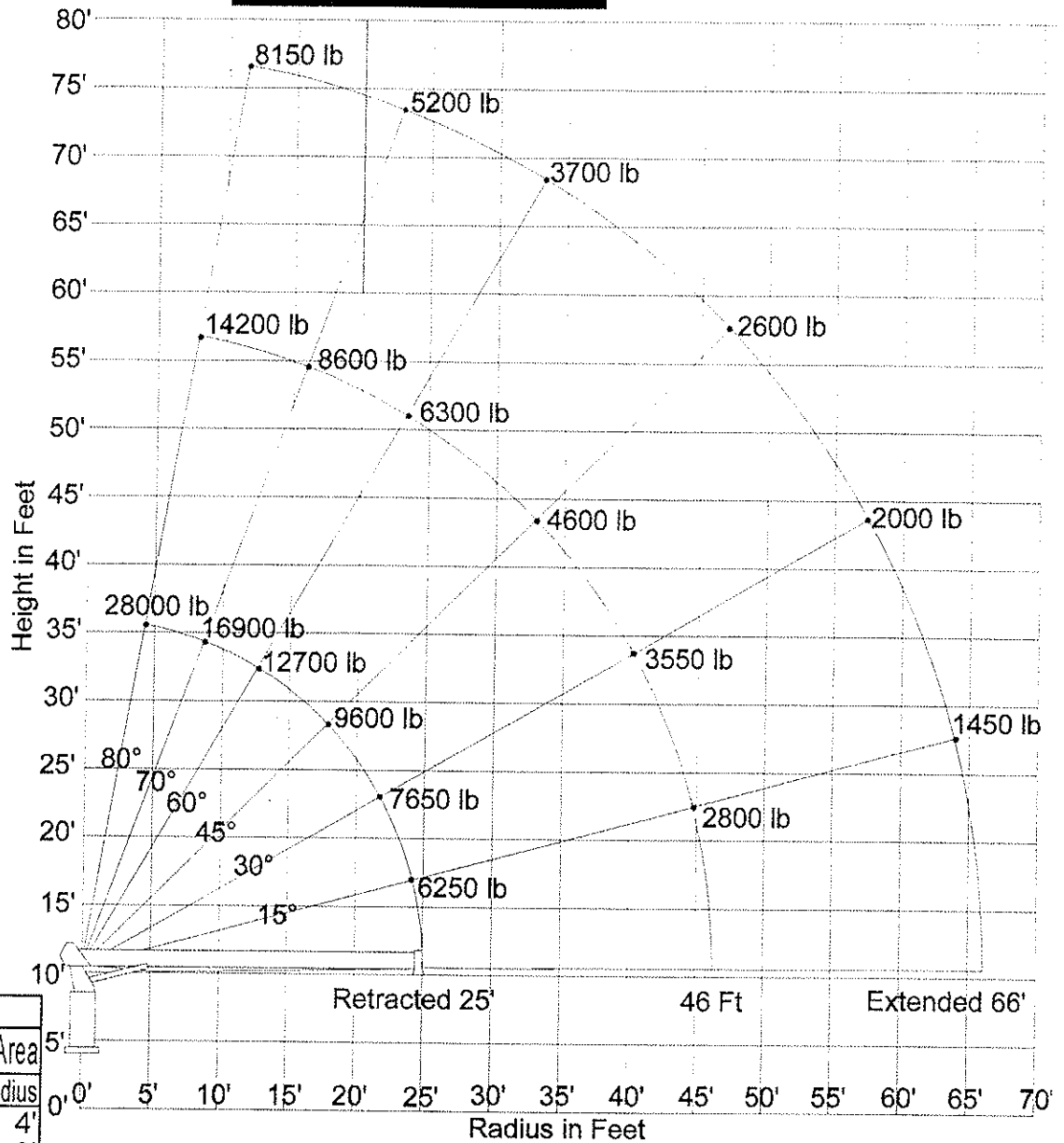


Warning! This chart is only a guide! The individual crane's load chart, operating instructions, and other instruction plates must be read and understood prior to crane operation.

14 ton National¹

25' - 66' Boom

Able Movers Ltd. 204 237-4800
1-800-667-**Able**
Brandon Crane 204 727-3407

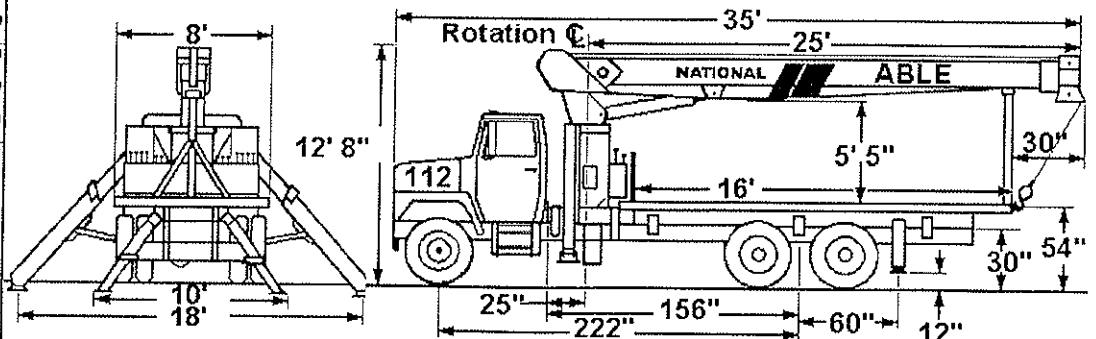


Standard Rigging	
Wire Rope Slings:	
4 pc 13' x 1/2" sw hooks	
4 pc 10' x 1/2"	
4 pc 6' x 3/8"	
Shackles:	
4 pc 8 1/2 ton	
4 pc 4 3/4 ton	

Dimensions:	
Weight: Steering-	12,100lb / 5488kg
Drives-	22,640lb / 10270kg
Length: Over all-	35' 0" / 10.67m
Width: Travel-	8' 0" / 2.44m
On pads-	19' 6" / 5.95m

Model 666B Capacity*				
On Outriggers, 180° Full Capacity Work Area				
Radius	25'	46'	66'	Radius
4'	28,000			4'
9'	17,700			9'
12'	13,800	11,900		12'
16'	10,700	9,250	8,050	16'
20'	8,550	7,600	6,600	20'
24'	6,300	6,300	5,500	24'
28'		5,500	4,800	28'
32'		4,800	4,200	32'
36'		4,150	3,700	36'
40'		3,550	3,350	40'
44'		2,800	3,000	44'
48'			2,700	48'
52'			2,400	52'
56'			2,150	56'
60'			1,850	60'
64'			1,500	64'

*Capacities shown are for the 666B with the load suspended. Radius shown includes increase due to boom deflection.



At 204 237-4800 Ken willingly conveys afford **Able** advice (en Français aussi).

©01 Nov 95g collins (204)489-4334; All rights reserved.
¹National is a registered trademark of National Crane, Waverly, NE

Series 666B **14 ton National¹**
Able #112